



MODEL KAWASAKI ZX-10 R / RR / SE

YEAR 2016 -->

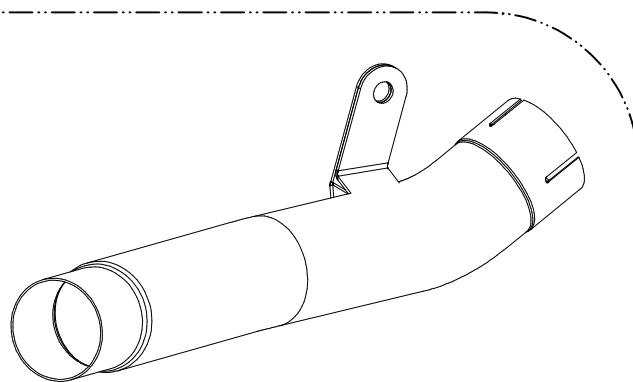
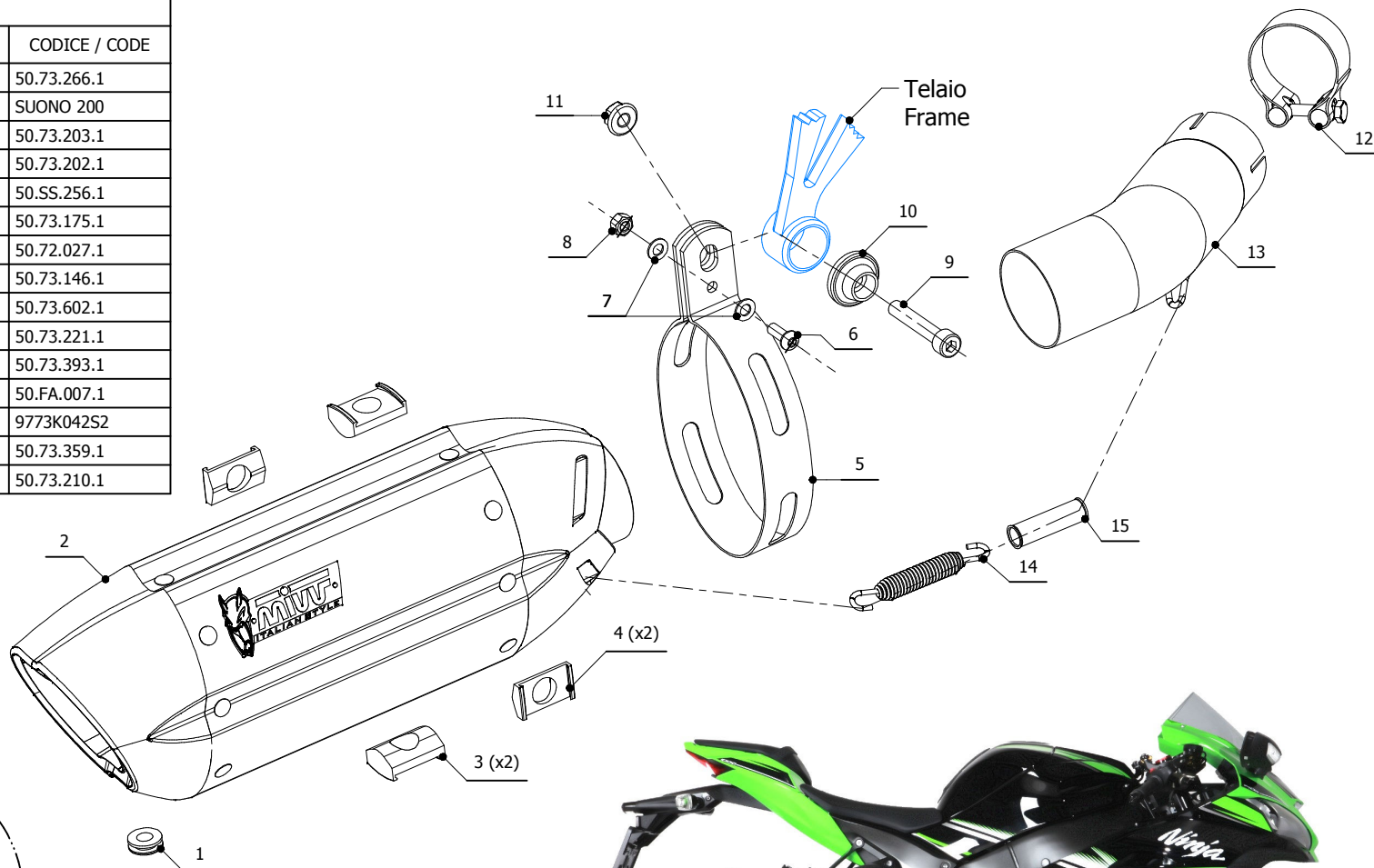
LINE SLIP ON

MUFFLER SUONO

SCHEMATIC

ELENCO PARTI / PARTS LIST

| #  | QTÀ / QTY | DESCRIZIONE / DESCRIPTION                           | CODICE / CODE |
|----|-----------|---|---------------|
| 1  | 1         | Tappo in gomma / Rubber stopper                     | 50.73.266.1   |
| 2  | 1         | Silenziatore / Muffler                              | SUONO 200     |
| 3  | 2         | Tassello grande / Rubber big block                  | 50.73.203.1   |
| 4  | 2         | Tassello piccolo / Small rubber block               | 50.73.202.1   |
| 5  | 1         | Staffa in carbonio / Carbon fiber bracket           | 50.SS.256.1   |
| 6  | 1         | Vite M6 x 16 / Screw M6 x 16                        | 50.73.175.1   |
| 7  | 2         | Rondella M6 / Washer M6                             | 50.72.027.1   |
| 8  | 1         | Dado M6 / Nut M6                                    | 50.73.146.1   |
| 9  | 1         | Vite M8x45 / Screw M8x45                            | 50.73.602.1   |
| 10 | 1         | Rondella in alluminio nera / Black aluminium washer | 50.73.221.1   |
| 11 | 1         | Dado M8 flangiato / Flanged nut M8                  | 50.73.393.1   |
| 12 | 1         | Fascetta Ø 48/51 mm / Pipe clamp Ø 48/51 mm         | 50.FA.007.1   |
| 13 | 1         | Tubo di raccordo / Link pipe                        | 9773K042S2    |
| 14 | 1         | Molla media / Mid-size spring                       | 50.73.359.1   |
| 15 | 1         | Tubo in gomma per molla / Rubber pipe for spring    | 50.73.210.1   |



OPTIONAL NO KAT PIPE  
K.042.C1



APPLICAZIONI / APPLICATIONS

| CODICE / CODE | SILENZIATORE / MUFFLER | TUBO / PIPE      | FASCETTA / CLAMP        |
|---------------|------------------------|------------------|-------------------------|
| K.042.L9      | STEEL BLACK            | INOX / ST. STEEL | CARBONIO / CARBON FIBER |